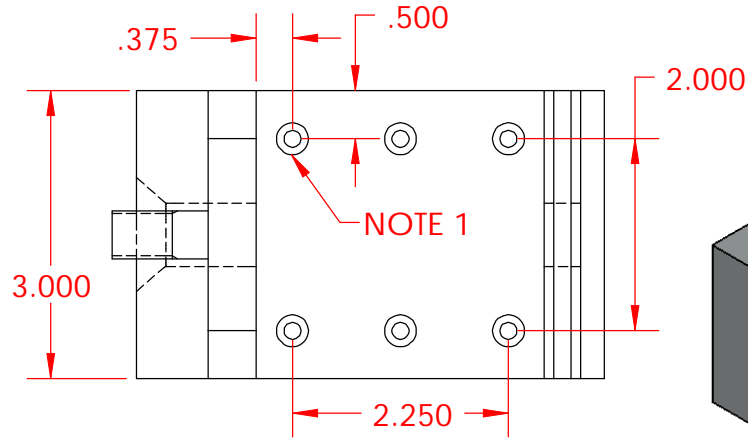
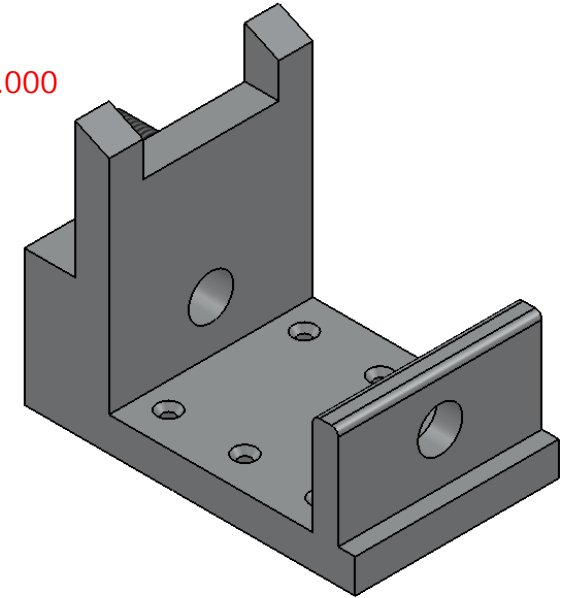


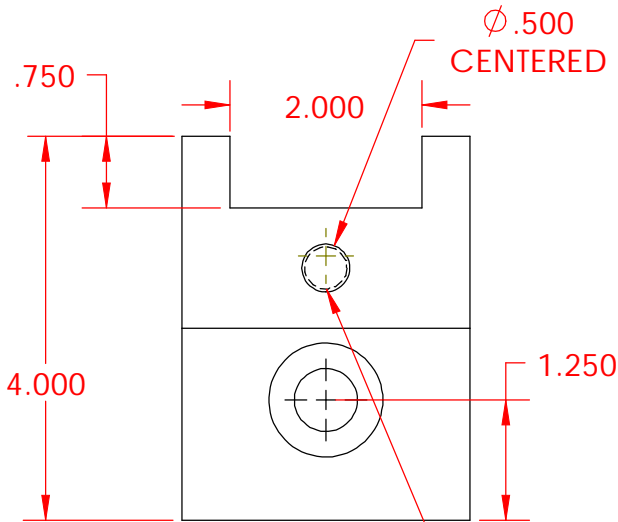
TOP FRONT LEFT ISOMETRIC VIEW



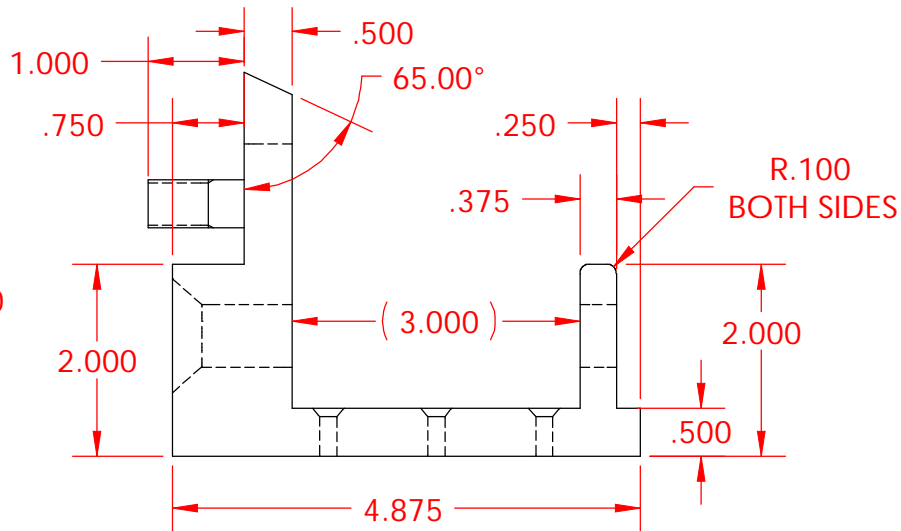
TOP VIEW



TOP FRONT RIGHT ISOMETRIC VIEW



LEFT VIEW



FRONT VIEW

NOTES

1. PROVIDE COUNTER SINK HOLE, #8 FLAT HEAD SCREW, ANSI INCH, THROUGH ALL, PATTERN THIS HOLE AS SHOWN

PROPRIETARY AND CONFIDENTIAL

THE INFORMATION CONTAINED IN THIS DRAWING IS THE SOLE PROPERTY OF ENTERPRISE DESIGN AND INNOVATIONS. ANY REPRODUCTION IN PART OR AS A WHOLE WITHOUT THE WRITTEN PERMISSION OF ENTERPRISE DESIGN AND INNOVATIONS IS PROHIBITED.

Model and layout by:
ED, e-d-and-i.com
(509) 899-2732

EVALUATION				COMMENTS	NAME	DATE
IET 265				UNITS: INCHES	DRAWN	
BLOCK				MATERIAL:	CHECKED	
				WEIGHT: LB	ENG APPR.	
SHEET	SHEET SCALE	SHEET SIZE	REV		Q.A.	
A1 of 1	1:2	ARCH A			SHEET FILE NAME: Week3-Eval-M-Block-Modify	
					VERSION DATE 4/18/2011	

