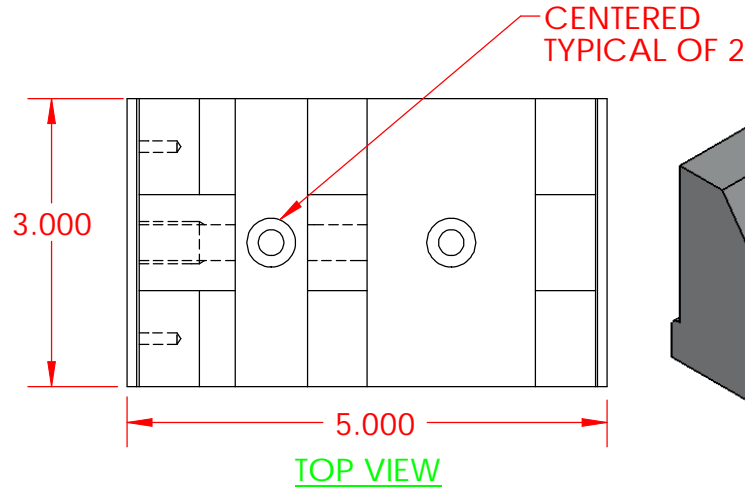
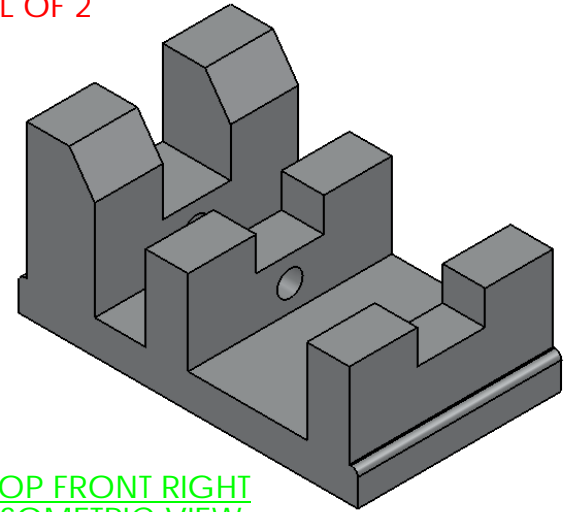


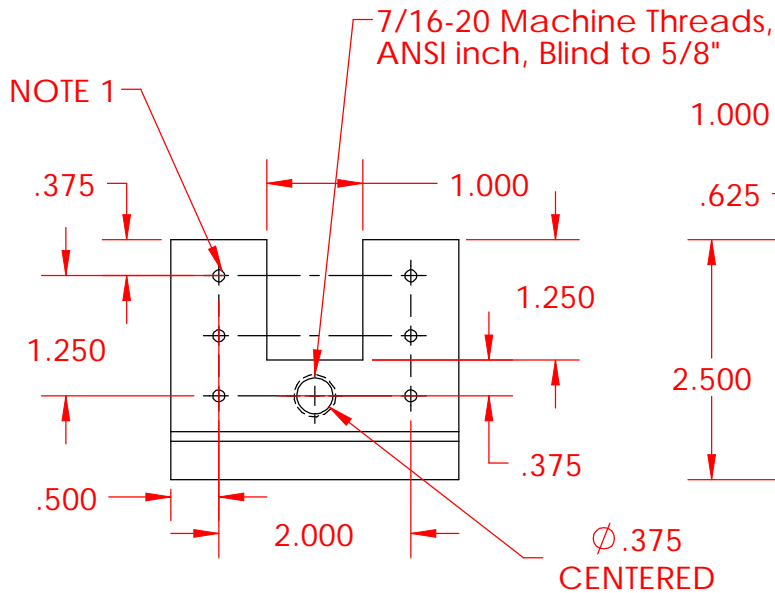
TOP FRONT LEFT  
ISOMETRIC VIEW



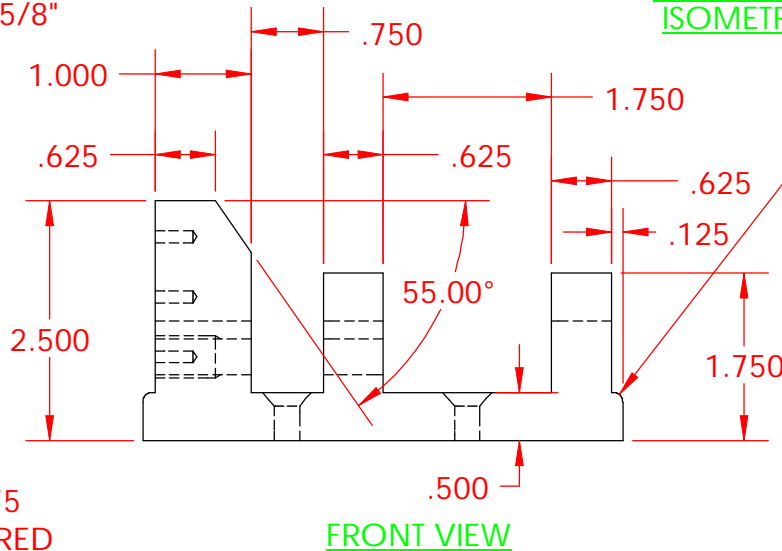
TOP VIEW



TOP FRONT RIGHT  
ISOMETRIC VIEW



$\phi$ .375  
CENTERED



FRONT VIEW

R.100  
2 PLACES

- NOTES
- PROVIDE HOLE, 1/8 INCH DRILL SIZE, ANSI INCH, BLIND 0.394 INCHES, PATTERN THIS HOLE AS SHOWN

Model and layout by:  
ED, e-d-and-i.com  
(509) 899-2732

PROPRIETARY AND CONFIDENTIAL  
THE INFORMATION CONTAINED IN THIS DRAWING IS THE SOLE PROPERTY OF ENTERPRISE DESIGN AND INNOVATIONS. ANY REPRODUCTION IN PART OR AS A WHOLE WITHOUT THE WRITTEN PERMISSION OF ENTERPRISE DESIGN AND INNOVATIONS IS PROHIBITED.

EVALUATION				COMMENTS	NAME	DATE
IET 265				UNITS: INCHES	DRAWN	
BLOCK				MATERIAL:	CHECKED	
				WEIGHT: LB	ENG APPR.	
SHEET	SHEET SCALE	SHEET SIZE	REV		Q.A.	
<b>A1 of 1</b>	<b>1:2</b>	<b>ARCH A</b>			SHEET FILE NAME: Week3-Eval-T-Block-Modify	
					VERSION DATE 4/18/2011	

