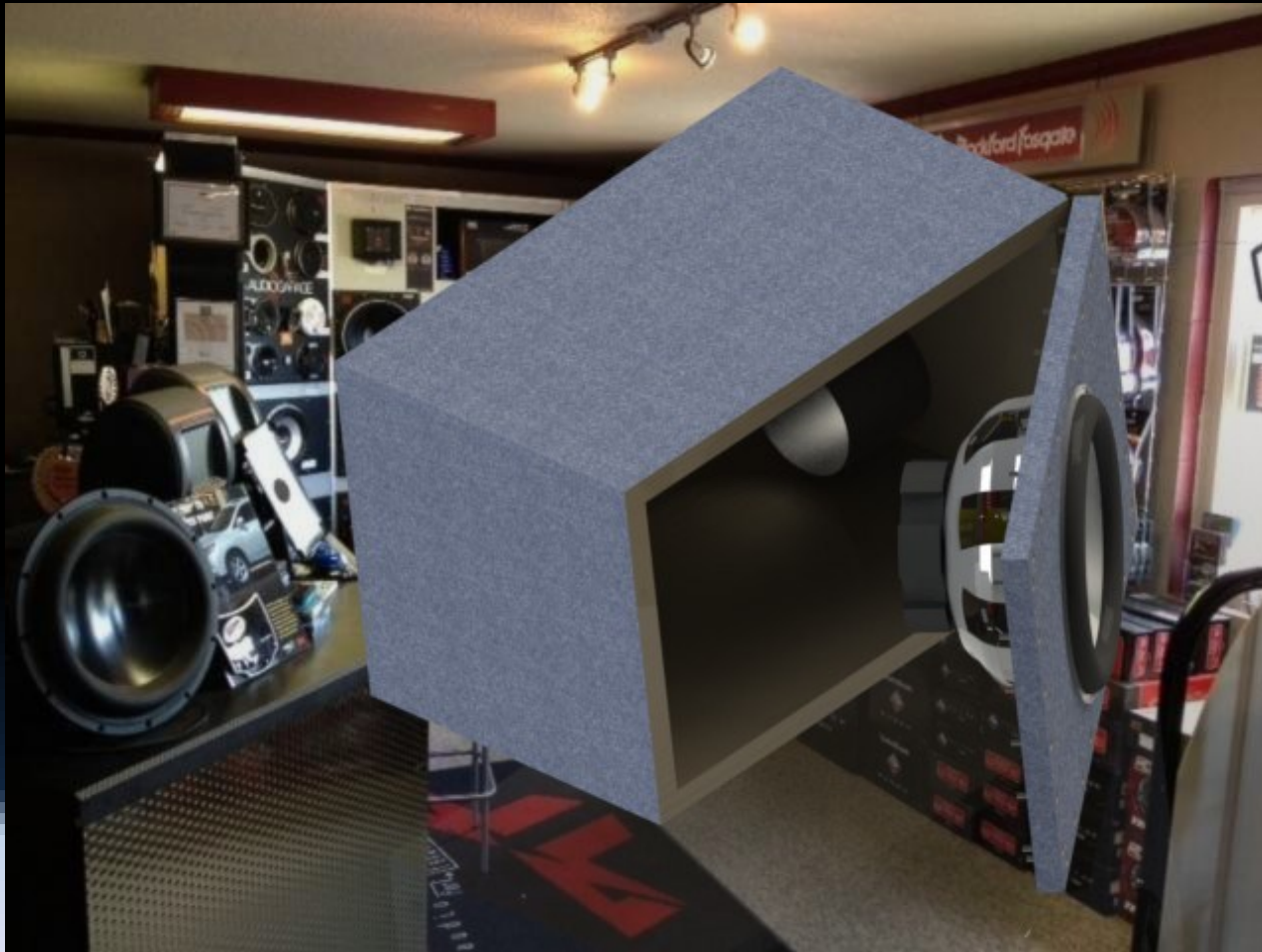


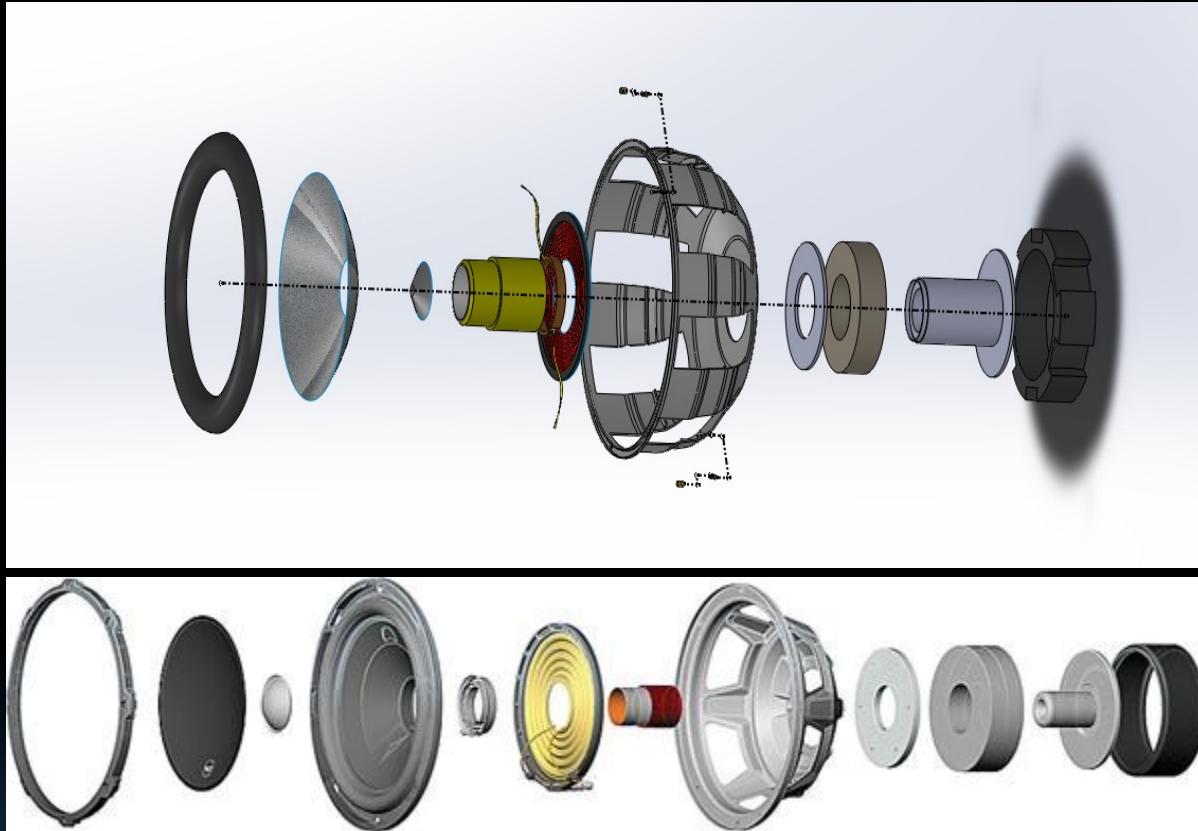
Tyler Kerschner

Mechanical Engineering
Technology
Junior

Subwoofer and Box



Subwoofer Explode



Surface Toolbar

