

KYLE WILKINSON

Ginger engineering

MET Super Junior 6/2014

Project: Adjustable Evo Control Arms



2006 Mitsubishi Evolution IX

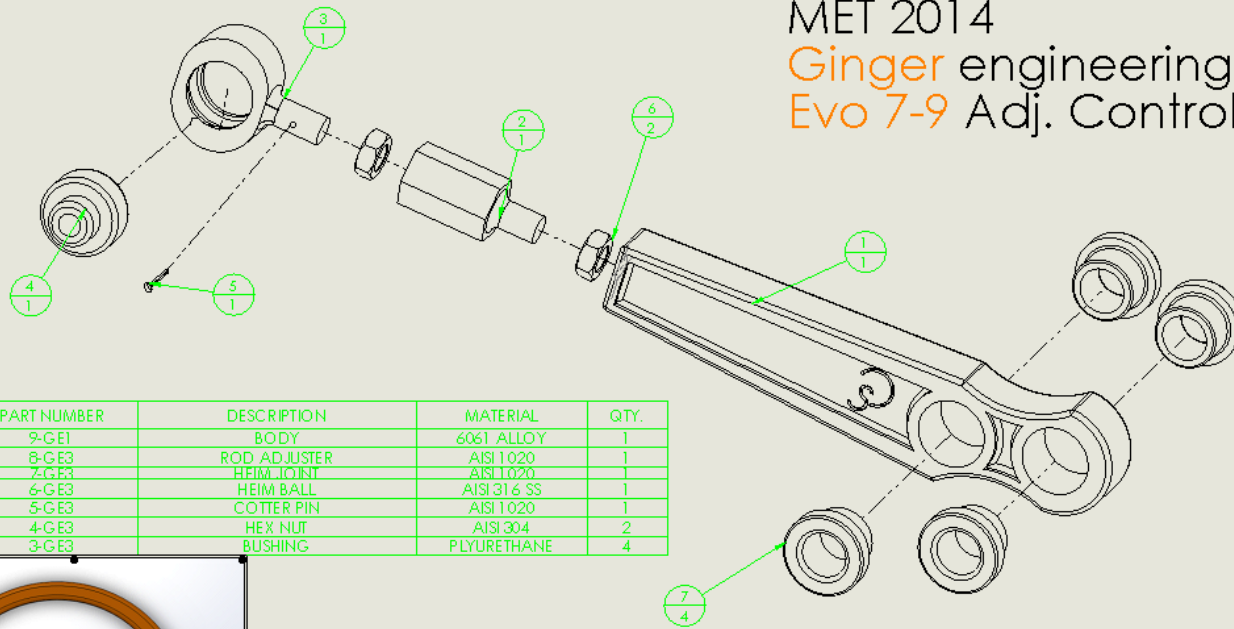


Part Drawing

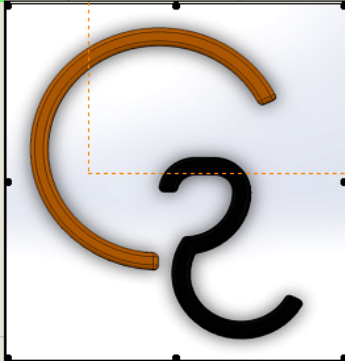
Drawing View1

Kyle Wilkinson
MET 2014

Ginger engineering
Evo 7-9 Adj. Control Arms



| ITEM NO. | PART NUMBER | DESCRIPTION | MATERIAL | QTY. |
|----------|-------------|--------------|-------------|------|
| 1 | 9-GE1 | BODY | 6061 ALLOY | 1 |
| 2 | 8-GE3 | ROD ADJUSTER | AISI 1020 | 1 |
| 3 | 7-GE3 | HEIM JOINT | AISI 1020 | 1 |
| 4 | 6-GE3 | HEIM BALL | AISI 316 SS | 1 |
| 5 | 5-GE3 | COTTER PIN | AISI 1020 | 1 |
| 6 | 4-GE3 | HEX NUT | AISI 304 | 2 |
| 7 | 3-GE3 | BUSHING | PLYURETHANE | 4 |



Ginger Engineering
7724 41st Ave C1 E
Tacoma, WA 98448
(253)606-5115
wilkinsonk@cwu.edu
Ginger engineering is
Trade marked and

UNLESS OTHERWISE SPECIFIED:

DIMENSIONS ARE IN INCHES
TOLERANCES:
FRACTIONS DECIMALS
0.0005 0.0005 0.001
0.001 0.001 0.001
0.002 0.002 0.002
0.005 0.005 0.005
0.010 0.010 0.010

IF FIRST DIMENSION
GIVEN IN INCHES IT IS
IN INCHES

IF FIRST DIMENSION
GIVEN IN MILLIMETERS IT IS
IN MILLIMETERS

IF FIRST DIMENSION
GIVEN IN FEET AND INCHES IT IS
IN FEET AND INCHES

IF FIRST DIMENSION
GIVEN IN METERS IT IS
IN METERS

IF FIRST DIMENSION
GIVEN IN MILLIMETERS AND INCHES IT IS
IN MILLIMETERS AND INCHES

IF FIRST DIMENSION
GIVEN IN METERS AND INCHES IT IS
IN METERS AND INCHES

IF FIRST DIMENSION
GIVEN IN KILOGRAMS IT IS
IN KILOGRAMS

IF FIRST DIMENSION
GIVEN IN POUNDS IT IS
IN POUNDS

IF FIRST DIMENSION
GIVEN IN NEWTONS IT IS
IN NEWTONS

IF FIRST DIMENSION
GIVEN IN KILOGRAMS AND POUNDS IT IS
IN KILOGRAMS AND POUNDS

IF FIRST DIMENSION
GIVEN IN METERS AND FEET IT IS
IN METERS AND FEET

IF FIRST DIMENSION
GIVEN IN KILOGRAMS AND POUNDS
AND METERS AND FEET IT IS
IN KILOGRAMS AND POUNDS
AND METERS AND FEET

GINGER engineering

TITLE:

Evo 7-9

SIZE DWG. NO. REV

B GE-2

SCALE: 1:4 WEIGHT: SHEET 1 OF 1

PROPRIETARY AND CONFIDENTIAL
THIS INFORMATION CONTAINED IN THIS
DRAWING IS THE SOLE PROPERTY OF
GINGER ENGINEERING. ANY
REPRODUCTION IN PART OR AS A WHOLE
WITHOUT THE WRITTEN PERMISSION OF
GINGER ENGINEERING IS
PROHIBITED.

APPROVED BY

DATE

BY

DATE

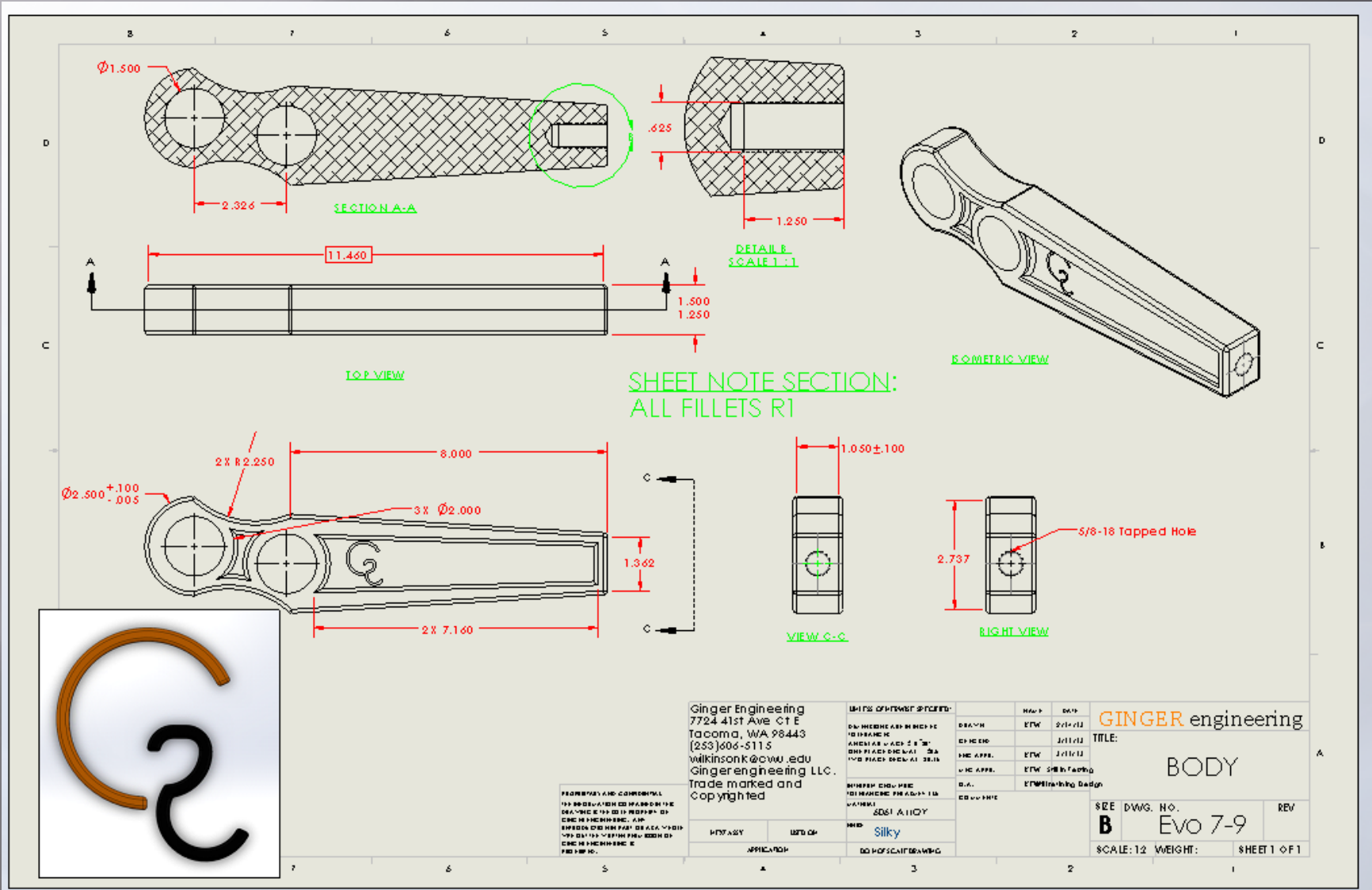
BY

DATE

BY

DATE

Dimension Drawing



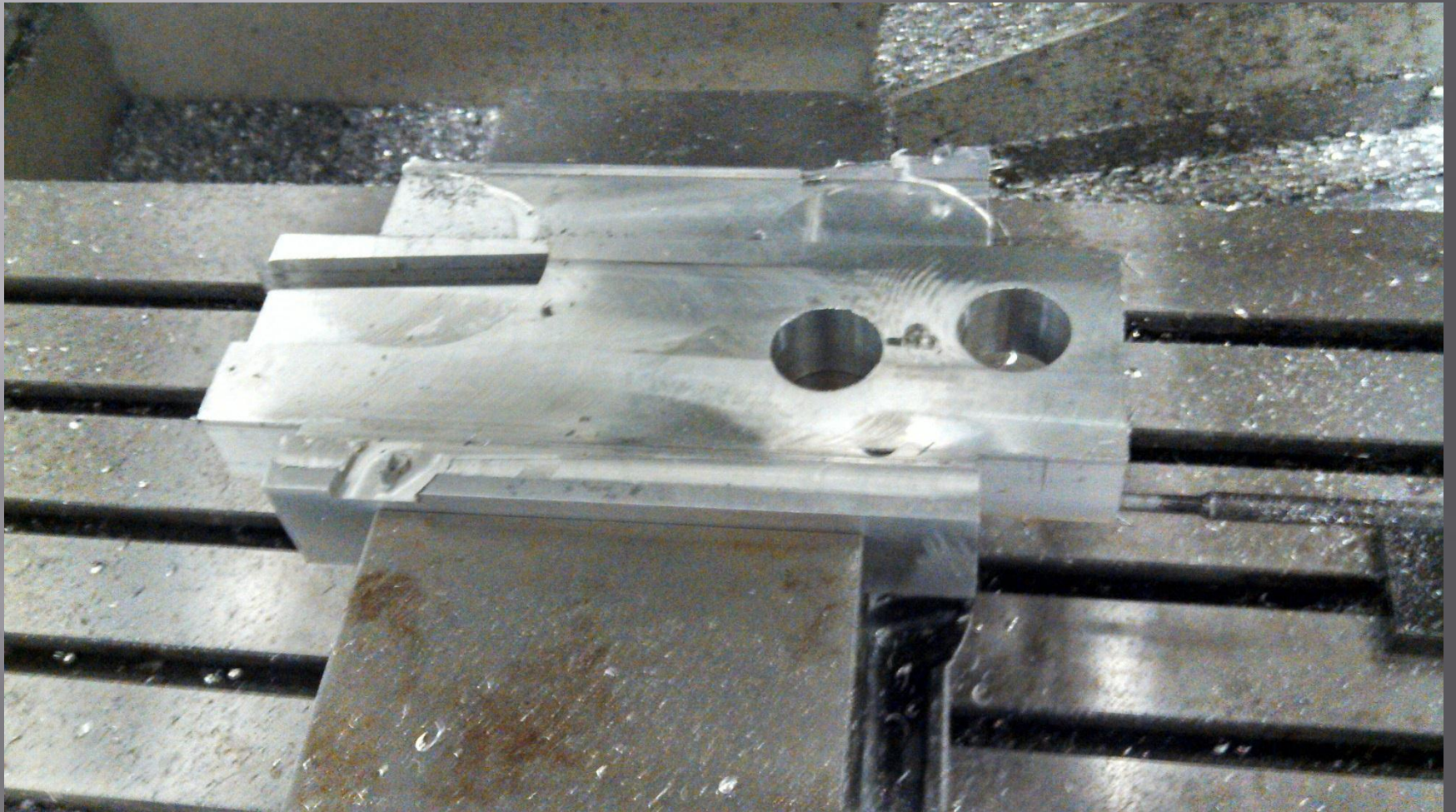
Final Product



Beginning



In the Process



¼ The Way There



Location and Action



Gingeneering at it's Finest



“Because I Can”

Hopefully Solve Problem Now

