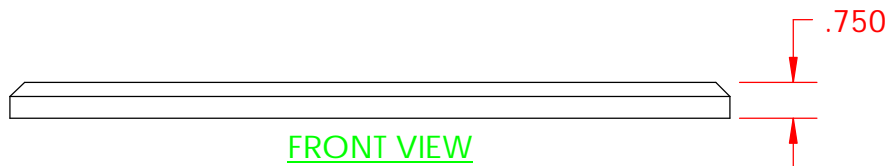
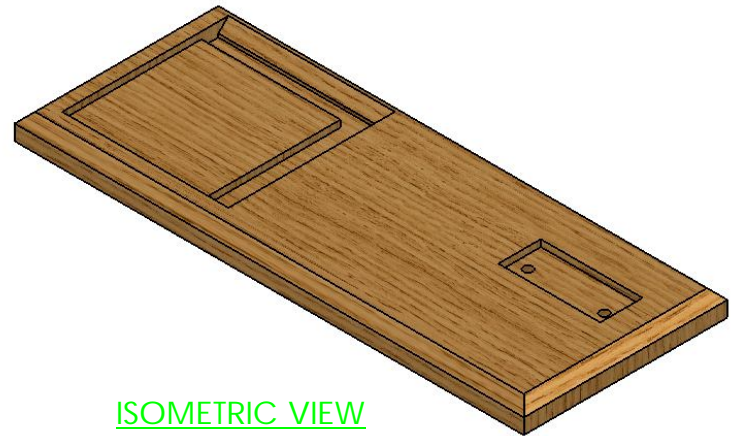


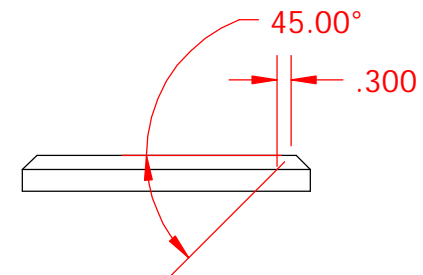
TOP VIEW



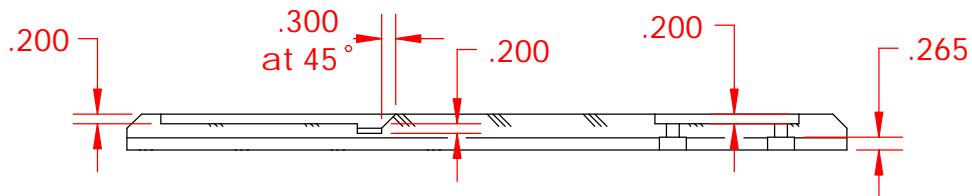
FRONT VIEW



ISOMETRIC VIEW



RIGHT VIEW



SECTION A-A

Model and layout by:
 EDI, e-d-and-i.com
 (509) 899-2732

PROPRIETARY AND CONFIDENTIAL
 THE INFORMATION CONTAINED IN THIS
 DRAWING IS THE SOLE PROPERTY OF
 ENTERPRISE DESIGN AND INNOVATIONS.
 ANY REPRODUCTION IN PART OR AS A
 WHOLE WITHOUT THE WRITTEN PERMISSION
 OF ENTERPRISE DESIGN AND INNOVATIONS
 IS PROHIBITED.

SARRUS MECHANISM SCARLETT BASE				COMMENTS	NAME	DATE
				UNITS: INCHES	DRAWN	
				MATERIAL:	CHECKED	
				WEIGHT: LB	ENG APPR.	
SHEET	SHEET SCALE	SHEET SIZE	REV	Q.A.		
A1 of 1	1:4	ARCH A		SHEET FILE NAME: Base Plate		
				VERSION DATE 3/28/2012		

