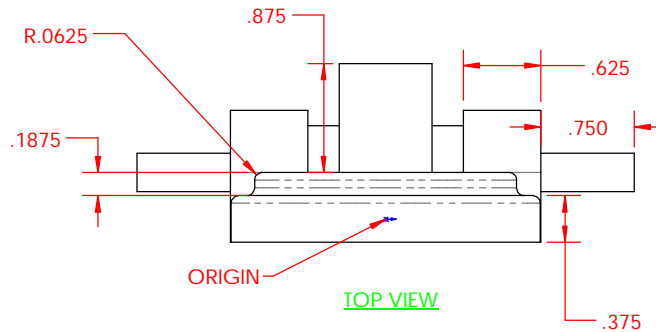
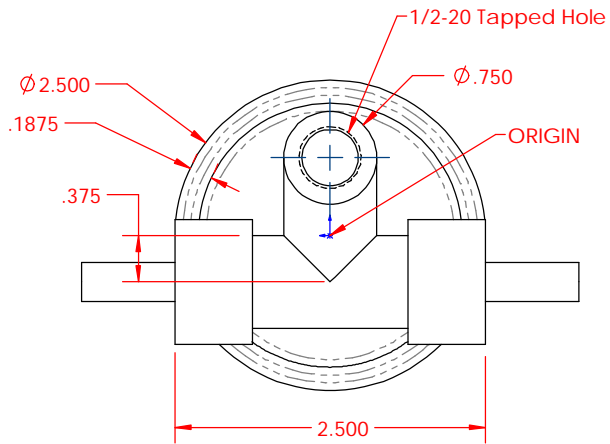


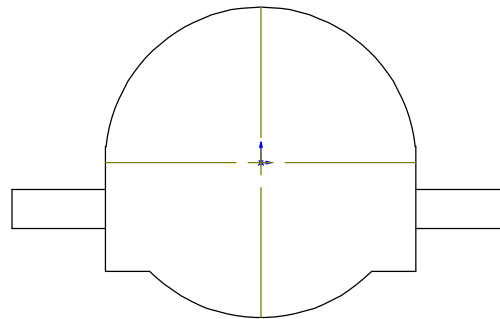
ISOMETRIC BACK



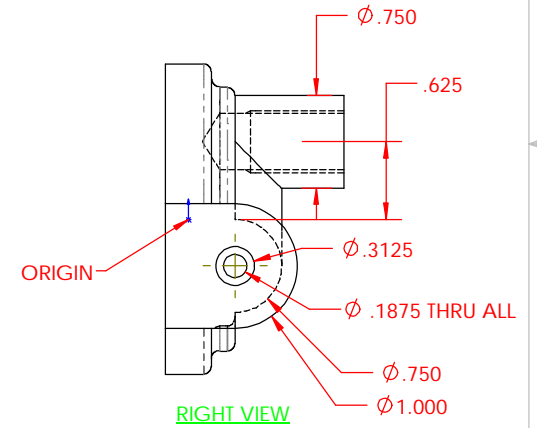
TOP VIEW



BACK VIEW



FRONT VIEW



RIGHT VIEW

PROPRIETARY AND CONFIDENTIAL  
 THE INFORMATION CONTAINED IN THIS  
 DRAWING IS THE SOLE PROPERTY OF  
 ENTERPRISE DESIGNS AND INNOVATIONS.  
 ANY REPRODUCTION IN PART OR AS A  
 WHOLE WITHOUT THE WRITTEN  
 PERMISSION OF ENTERPRISE DESIGN  
 AND INNOVATIONS IS PROHIBITED.

**ED&I**  
 ENTERPRISE DESIGN AND  
 INNOVATIONS  
 PO BOX 801  
 KITTITAS, WA 98934  
 509-899-2732  
 edi3di.com

UNLESS OTHERWISE SPECIFIED:	NAME	DATE
DIMENSIONS ARE IN INCHES	CSS	2/5/13
TOLERANCES:	CHECKED	MEE 2/5/13
FRACTIONAL: $\pm$	ENG APPR.	CSS 2/5/13
ANGULAR: MACH $\pm$ 0°30'	MFG APPR.	
TWO PLACE DECIMAL $\pm$ 0.020	Q.A.	
THREE PLACE DECIMAL $\pm$ 0.060	COMMENTS:	
INTERPRET GEOMETRIC TOLERANCING PER: ANSI Y14.5		
MATERIAL		
1350 Alloy		
FINISH		
NORMAL		
DO NOT SCALE DRAWING		

	NAME	DATE
	CSS	2/5/13
	MEE	2/5/13
	CSS	2/5/13

**ENTERPRISE DESIGN**  
 TITLE:  
**REGULATOR**  
 SIZE DWG. NO. REV  
**B** Gas Regulator Drawing  
 SCALE: 1:1 WEIGHT: 0.37 SHEET 1 OF 1