

8 7 6 5 4 3 2 1

D

D

C

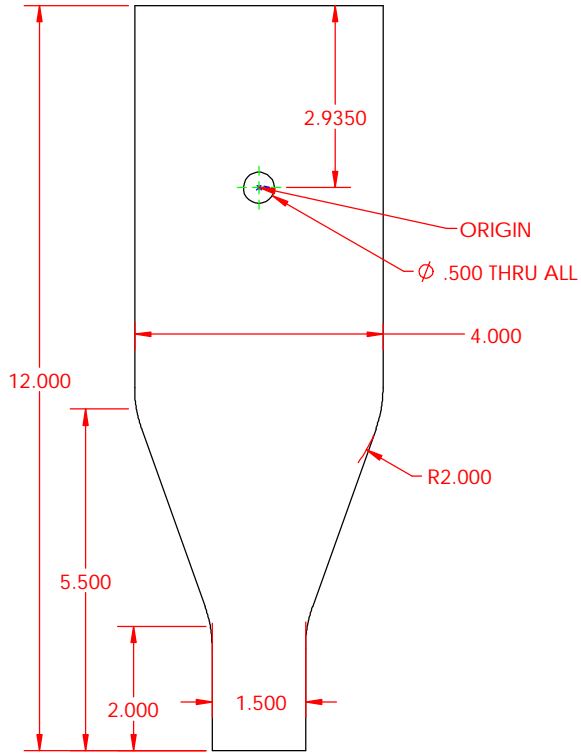
C

B

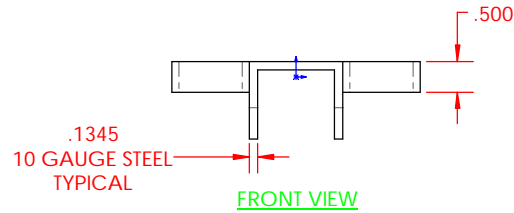
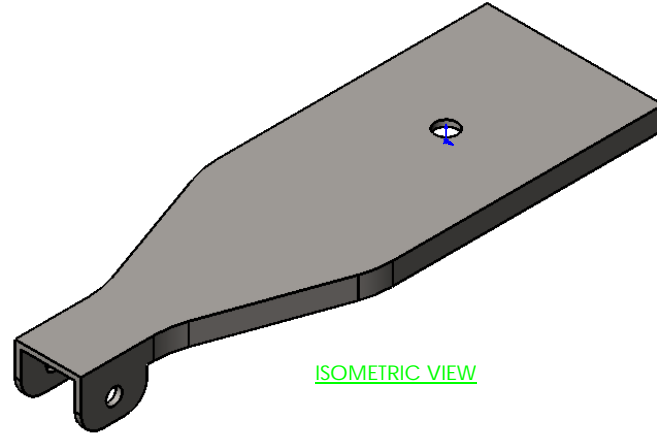
B

A

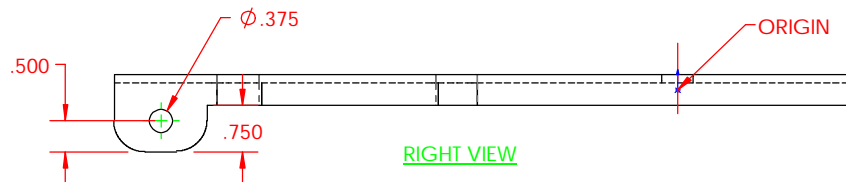
A



TOP VIEW



FRONT VIEW



RIGHT VIEW

PROPRIETARY AND CONFIDENTIAL
THE INFORMATION CONTAINED IN THIS
DRAWING IS THE SOLE PROPERTY OF
ENTERPRISE DESIGNS AND INNOVATIONS.
ANY REPRODUCTION IN PART OR AS A
WHOLE WITHOUT THE WRITTEN
PERMISSION OF ENTERPRISE DESIGN
AND INNOVATIONS IS PROHIBITED.

ED&I
ENTERPRISE DESIGN AND
INNOVATIONS
PO BOX 801
KITTTAS, WA 98934
509-899-2732
edi3di.com

UNLESS OTHERWISE SPECIFIED:		NAME	DATE	ENTERPRISE DESIGN	
DIMENSIONS ARE IN INCHES		MEE	02/10/13	TITLE:	
TOLERANCES:		CSS	02/10/13	HANDLE WHEEL MOUNT	
FRACTIONAL \pm				REV	
ANGULAR: MACH \pm 0°30'				SIZE	
TWO PLACE DECIMAL \pm 0.020				DWG. NO.	
THREE PLACE DECIMAL \pm 0.060				130210-Wagon-Handle-Mount	
INTERPRET GEOMETRIC TOLERANCING PER: ANSI Y14.5		YOU	02/10/13	SCALE: 1:2 WEIGHT: 1.89 SHEET 1 OF 1	
MATERIAL		COMMENTS:			
AISI 1020					
FINISH					
NONE					
NEXT ASSY	USED ON				
APPLICATION					
DO NOT SCALE DRAWING					

8 7 6 5 4 3 2 1