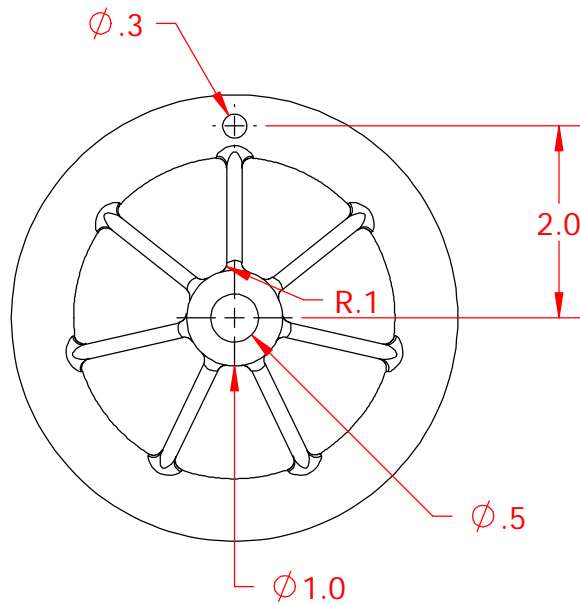
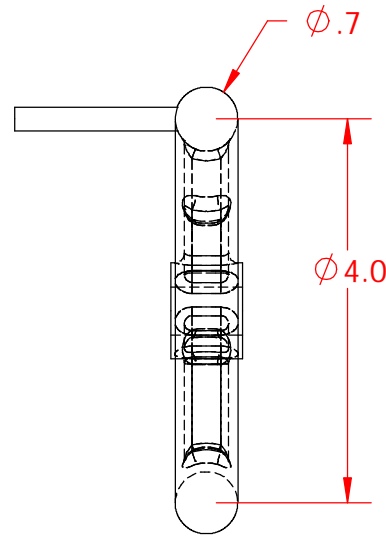


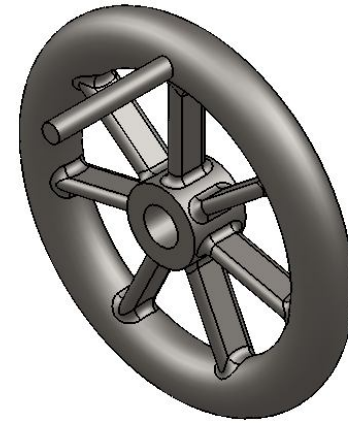
TOP VIEW



FRONT VIEW



RIGHT VIEW



ISOMETRIC VIEW

Model and layout by:
ED, e-d-and-i.com
(509) 899-2732

PROPRIETARY AND CONFIDENTIAL
THE INFORMATION CONTAINED IN THIS
DRAWING IS THE SOLE PROPERTY OF
ENTERPRISE DESIGN AND INNOVATIONS.
ANY REPRODUCTION IN PART OR AS A
WHOLE WITHOUT THE WRITTEN PERMISSION
OF ENTERPRISE DESIGN AND INNOVATIONS
IS PROHIBITED.

SARRUS MECHANISM SCARLETT WHEEL				COMMENTS	NAME	DATE
				UNITS: INCHES	DRAWN	
				MATERIAL:	CHECKED	
				WEIGHT: LB	ENG APPR.	
SHEET	SHEET SCALE	SHEET SIZE	REV	Q.A.		
A1 of 1	1:2	ARCH A		SHEET FILE NAME: Wheel		
				VERSION DATE 3/28/2012		

