

4

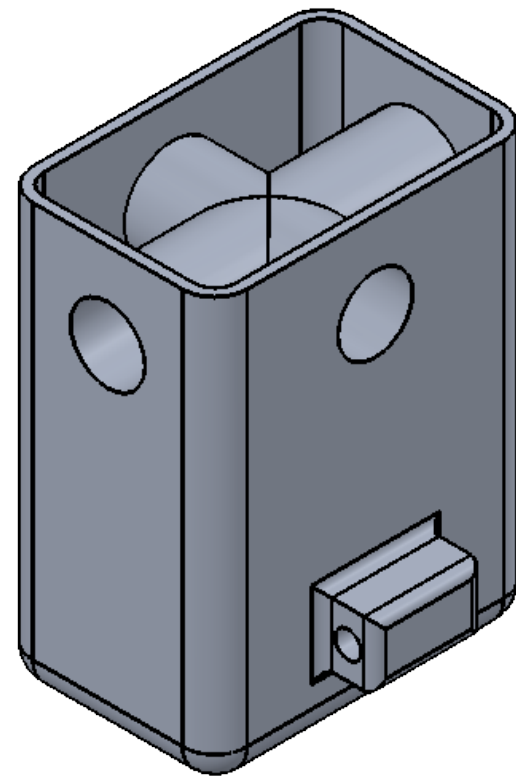
3

2

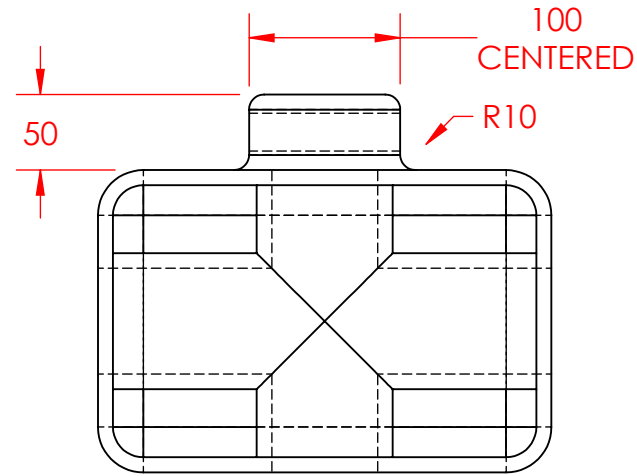
1

B

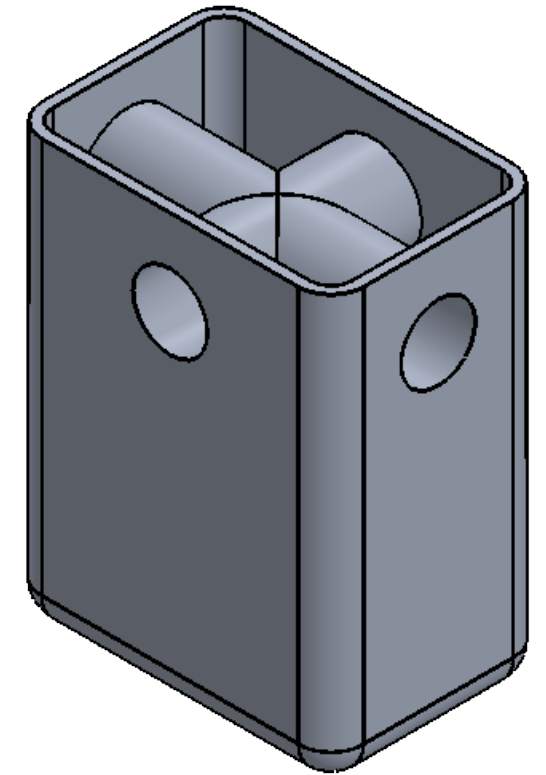
B



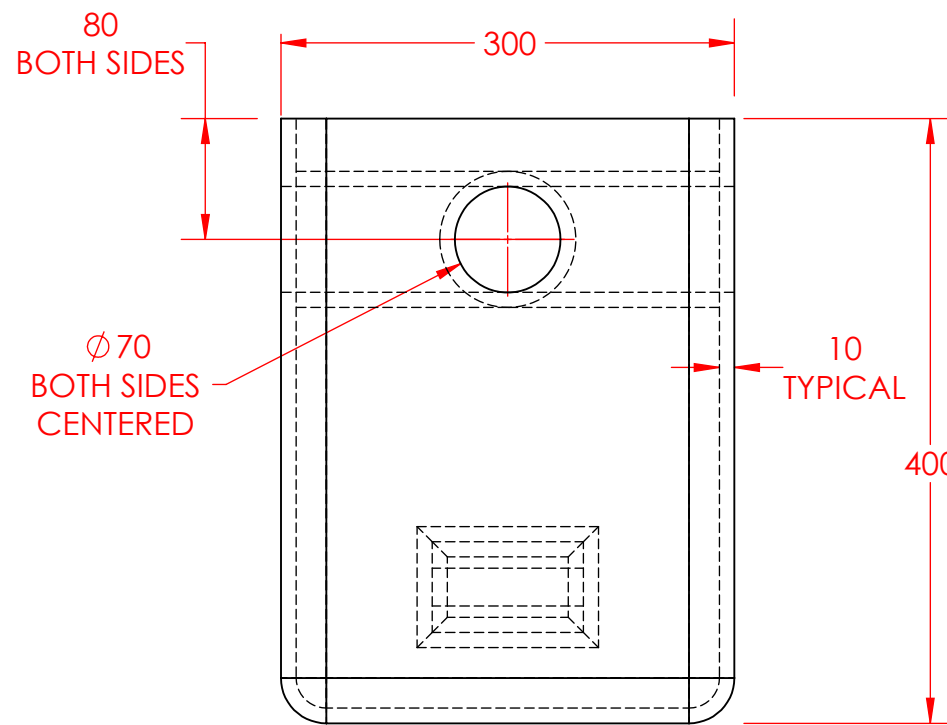
BACK TOP RIGHT ISOMETRIC VIEW



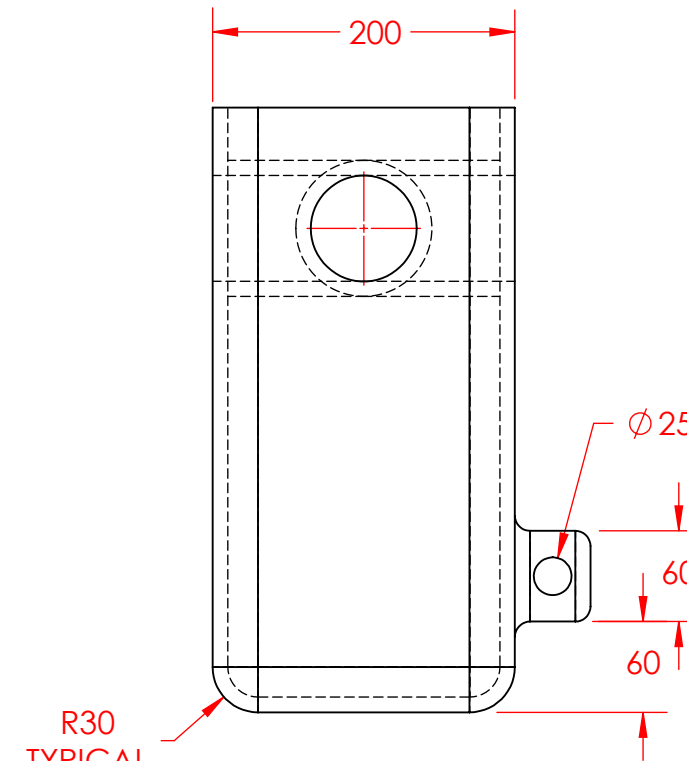
TOP VIEW



FRONT TOP RIGHT ISOMETRIC VIEW



FRONT VIEW



RIGHT VIEW

SHEET NOTES:


- 1. MATERIAL - 1060 ALLOY
- 2. MASS 13672.69 grams

PROPRIETARY AND CONFIDENTIAL

THE INFORMATION CONTAINED IN THIS DRAWING AND ANY RELATED MATERIAL IS THE SOLE PROPERTY OF ENTERPRISE DESIGN AND INNOVATIONS. ANY SHARING OF THIS INFORMATION, IN WHOLE OR ANY PART THEREOF IS PROHIBITED WITHOUT EXPRESS WRITTEN CONSENT OF ENTERPRISE DESIGN AND INNOVATIONS.

A

A

TIP BUCKET				REVISIONS DATE:	ITEM:	NAME	DATE	UNITS IN MM TOLERANCES ARE 0.010 INCHES UNLESS OTHERWISE NOTED	
						DRAWN	CSS		9/24/17
VARIOUS VIEWS						CHECKED	000		000
						APPV.	000		000
SHEET	SHEET SCALE	SHEET SIZE	REV	VERSION DATE		9/24/2017			
1	1:5	B		SHEET FILE NAME: Tip Bucket					

4

3

2

1