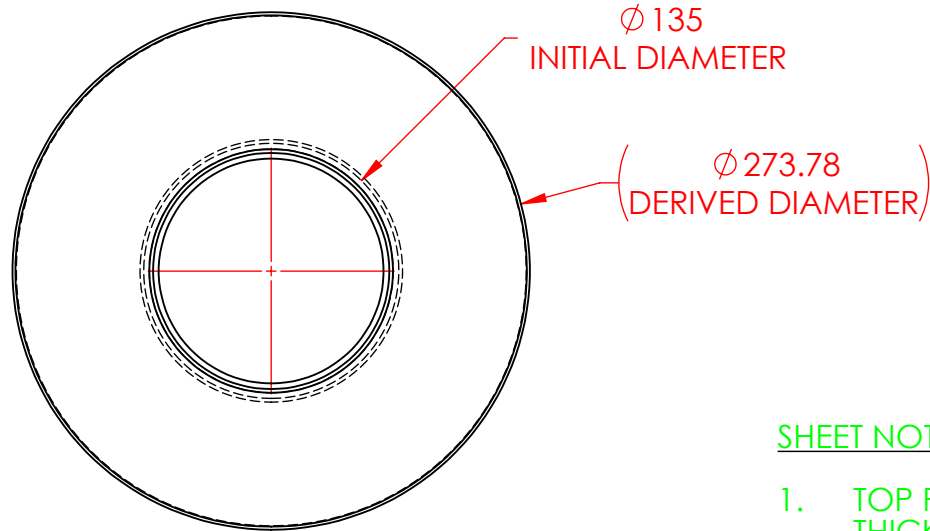
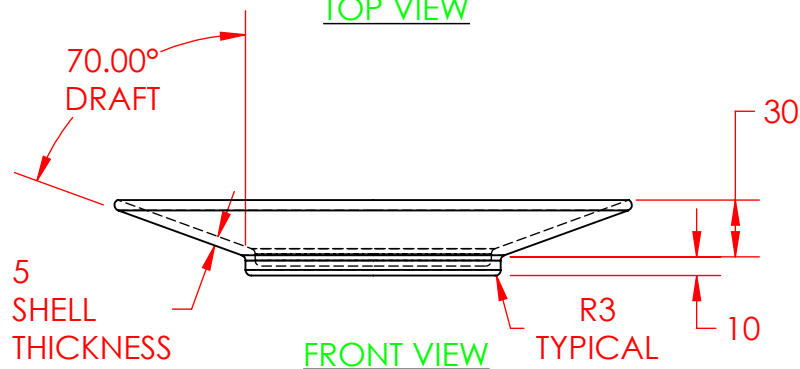


B



TOP VIEW

FRONT-TOP-RIGHT
ISOMETRIC VIEW

FRONT VIEW

SHEET NOTES:

1. TOP PLANE AT INITIAL DIAMETER AND EXTRUDE TO THICKNESS AS SHOWN
2. EXTRUDE FROM THIS SURFACE TO THE DISTANCE SHOWN
 1. DRAFT ANGLE AS SHOWN TO ACHIEVE DESIRED FORM
3. FEATURE FILLET ON ALL EDGES AS SHOWN EXCEPTING THE VERY TOP EDGE
4. SHELL AT THICKNESS SHOWN
5. 5MM FILLET ON TOP EDGE AFTER SHELL
6. MATERIAL - WOOD - VARIOUS

PROPRIETARY AND CONFIDENTIAL

THE INFORMATION CONTAINED IN THIS DRAWING AND ANY RELATED MATERIAL IS THE SOLE PROPERTY OF ENTERPRISE DESIGN AND INNOVATIONS. ANY SHARING OF THIS INFORMATION, IN WHOLE OR ANY PART THEREOF IS PROHIBITED WITHOUT EXPRESS WRITTEN CONSENT OF ENTERPRISE DESIGN AND INNOVATIONS.

A

DINNER PLATE			NAME	DATE	UNITS IN mm
WOODEN UTENSILS			DRAWN	CSS	5/21/16
KITCHEN ITEMS			CHECKED	000	000
			APPV.	000	000
			PRINT DATE	5/22/2016	
			VERSION DATE	1/8/2018	MAT.
			SHEET FILE NAME: 01-Wooden-Plate		
SHEET 1	SHEET SCALE 1:4	SHEET SIZE A	TOLERANCES ARE 0.25 MM UNLESS OTHERWISE NOTED		

B

A

2

1