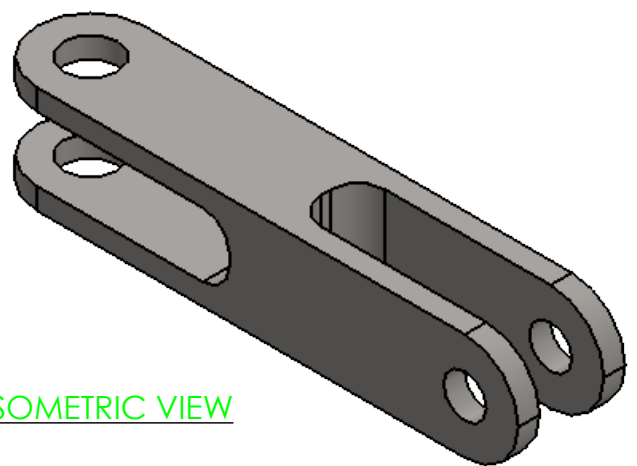
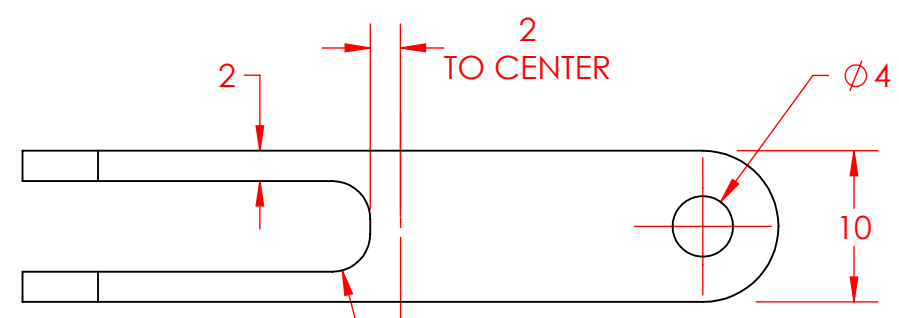


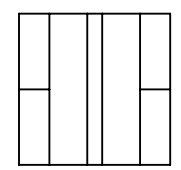
TOP VIEW



ISOMETRIC VIEW



FRONT VIEW



RIGHT VIEW

SHEET NOTES:

1. THERE ARE MANY WAYS TO MODEL THIS BUT IT SHOULD BE A SYMMETRICAL PART, WHERE IS THE ERROR? EMAIL ME
2. MASS PROPERTIES - MASS = 16.424 GRAMS, CENTER OF MASS: (millimeters) X = 0.272, Y = 0.000, Z = 0.000

PROPRIETARY AND CONFIDENTIAL
 THE INFORMATION CONTAINED IN THIS DRAWING IS THE SOLE PROPERTY OF ENTERPRISE DESIGNS AND INNOVATIONS. ANY REPRODUCTION IN PART OR AS A WHOLE WITHOUT THE WRITTEN PERMISSION OF ENTERPRISE DESIGN AND INNOVATIONS IS PROHIBITED.



**PO Box 801,
 Kittitas, Wa 98934
 design@edi3di.com
 509-899-2732**

		UNLESS OTHERWISE SPECIFIED:		NAME	DATE	ENTERPRISE DESIGN	
		DIMENSIONS ARE IN MILLIMETERS		DRAWN	CSS		
		TOLERANCES:		CHECKED		SIZE DWG. NO. REV B 02-Perpendicular-Linkage-50mm	
		FRACTIONAL ±		ENG APPR.			
		ANGULAR: MACH ± 0°30'		MFG APPR.			
		TWO PLACE DECIMAL ±0.500		Q.A.			
		THREE PLACE DECIMAL ±0.050		COMMENTS:			
		INTERPRET GEOMETRIC TOLERANCING PER: ANSI Y14.5					
		MATERIAL					
		AISI 1020					
		FINISH					
NEXT ASSY	USED ON						
APPLICATION		DO NOT SCALE DRAWING					