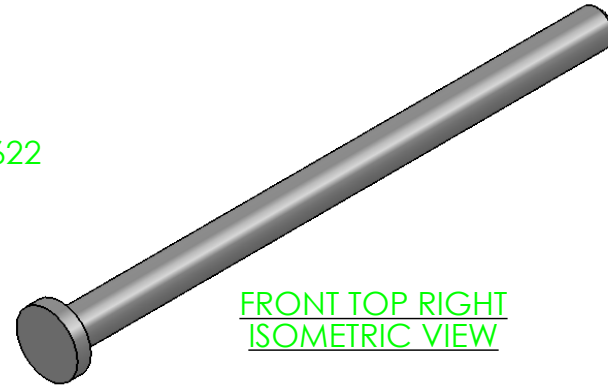
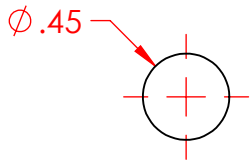


SHEET NOTES:

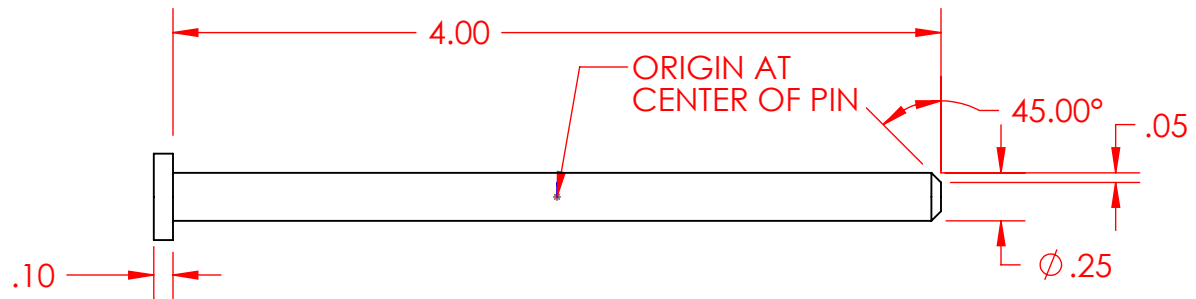
1. MASS: 0.0596 POUNDS
2. CENTER OF MASS X = 0.0000, Y = 0.0000, Z = 0.1622



FRONT TOP RIGHT ISOMETRIC VIEW




FRONT VIEW



RIGHT VIEW

PROPRIETARY AND CONFIDENTIAL

THE INFORMATION CONTAINED IN THIS DRAWING AND ANY RELATED MATERIAL IS THE SOLE PROPERTY OF ENTERPRISE DESIGN AND INNOVATIONS. ANY SHARING OF THIS INFORMATION, IN WHOLE OR ANY PART THEREOF IS PROHIBITED WITHOUT EXPRESS WRITTEN CONSENT OF ENTERPRISE DESIGN AND INNOVATIONS.

<p>SARRUS HINGE PIN</p>			NAME	DATE	UNITS IN INCHES		
			DRAWN	CSS			10/5/17
<p>SARRUS MECHANISM</p>			CHECKED	000	000		TOLERANCES ARE 0.010 INCHES UNLESS OTHERWISE NOTED
			APPV.	000	000		
<p>VARIOUS VIEWS</p>			PRINT DATE	10/5/2017			
SHEET	SHEET SCALE	SHEET SIZE	VERSION DATE	10/8/2017			
1	1:1	A	SHEET FILE NAME: 171005-2016-Sarrus-Pin MAT. Chrome Stainless Steel				