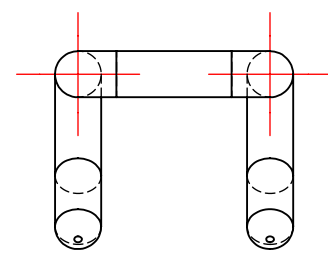


4

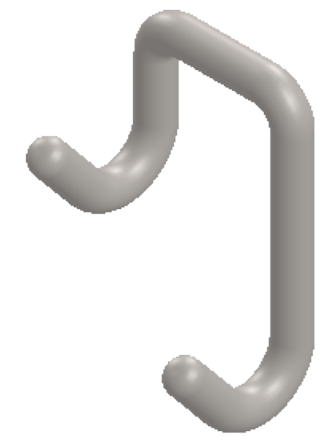
3

2

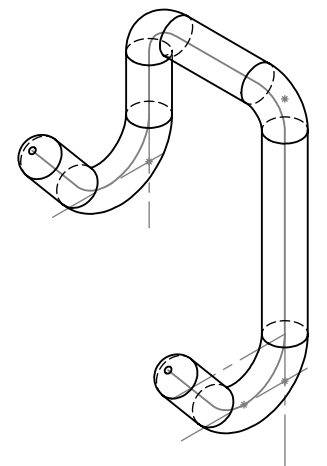
1



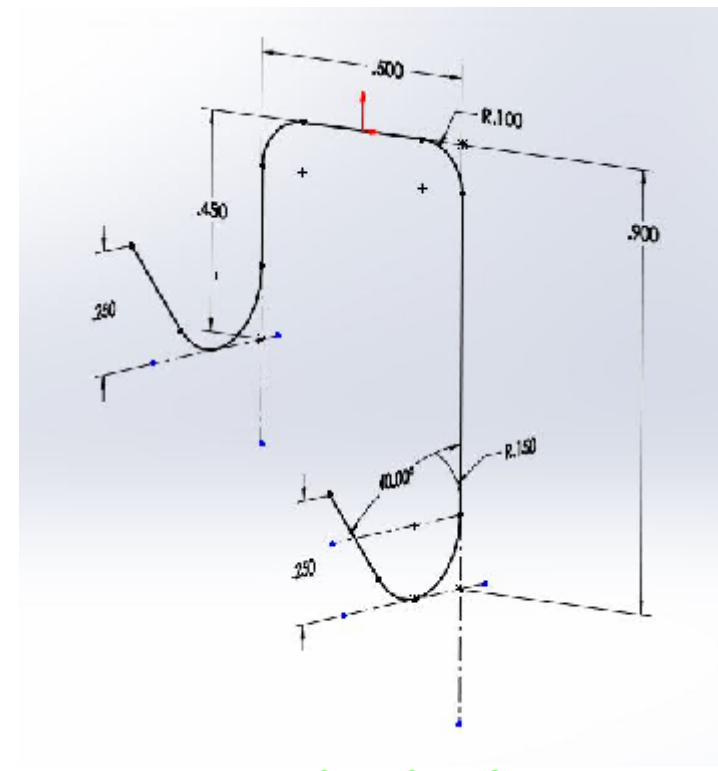
TOP VIEW



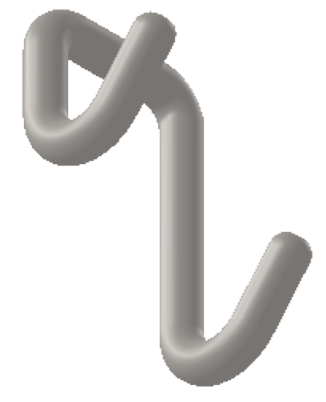
FRONT TOP RIGHT ISOMETRIC VIEW



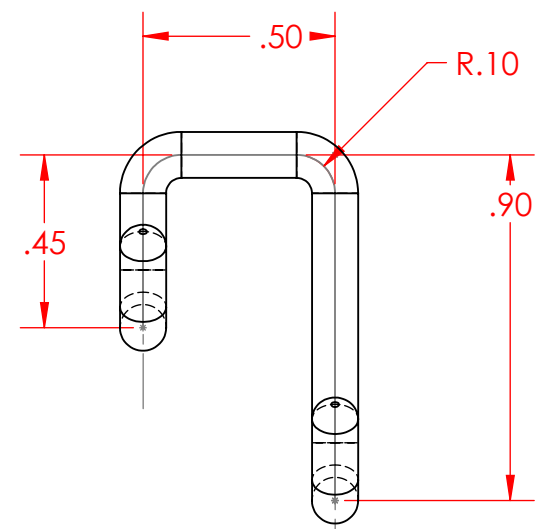
FRONT TOP RIGHT ISOMETRIC VIEW WITH VISIBLE SKETCH



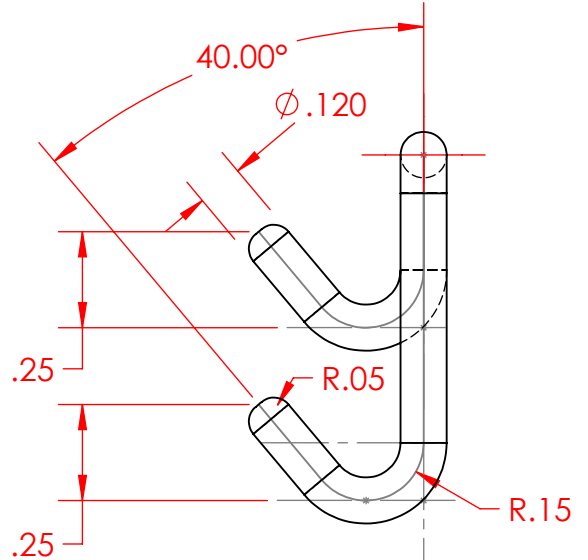
FRONT TOP RIGHT ISOMETRIC VIEW 3D SKETCH DETAIL



FRONT BOTTOM LEFT ISOMETRIC VIEW



FRONT VIEW WITH VISIBLE SKETCH



RIGHT VIEW WITH VISIBLE SKETCH

SHEET NOTES

1. MATERIAL: AISI 316 Annealed Stainless Steel Bar (SS)
2. MASS = 00876 POUNDS
3. CENTER OF MASS - X = 0.04196, Y = -0.39130, Z = 0.09165

PROPRIETARY AND CONFIDENTIAL

THE INFORMATION CONTAINED IN THIS DRAWING AND ANY RELATED MATERIAL IS THE SOLE PROPERTY OF ENTERPRISE DESIGN AND INNOVATIONS. ANY SHARING OF THIS INFORMATION, IN WHOLE OR ANY PART THEREOF IS PROHIBITED WITHOUT EXPRESS WRITTEN CONSENT OF ENTERPRISE DESIGN AND INNOVATIONS.

STAINLESS STEEL HOOK MAGNET HOOK PARTS KITCHEN - SHOP ITEMS				REVISIONS DATE:	ITEM:	NAME	DATE	UNITS IN INCHES TOLERANCES ARE 0.010 INCHES UNLESS OTHERWISE NOTED	
						DRAWN	CSS		5/21/16
						CHECKED	000		000
				APPV.	000	000			
				MATERIAL AISI 316 Annealed Stainless Steel Bar (SS)					
SHEET 1	SHEET SCALE 2:1	SHEET SIZE B	REV	VERSION DATE	2/17/2018				
				SHEET FILE NAME: 07-Magnet-Hook-03-Stainless-Steel-Hook					



4

3

2

1

B

B

A

A