

4

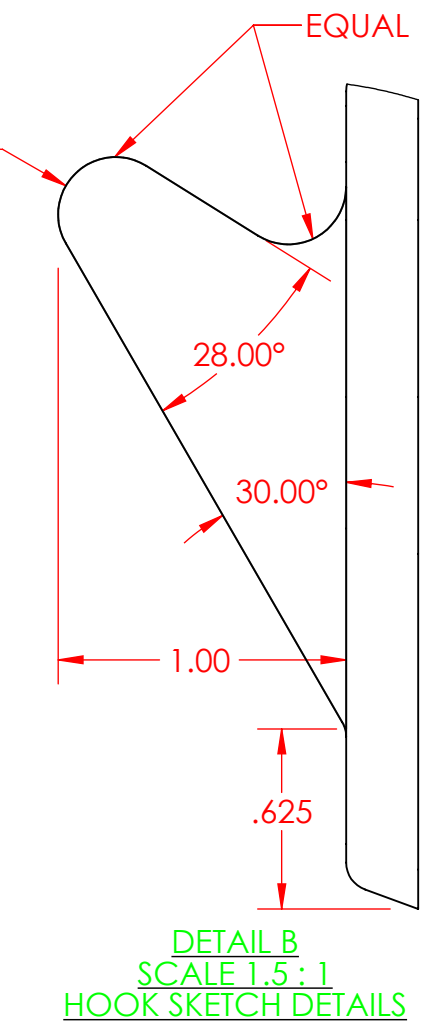
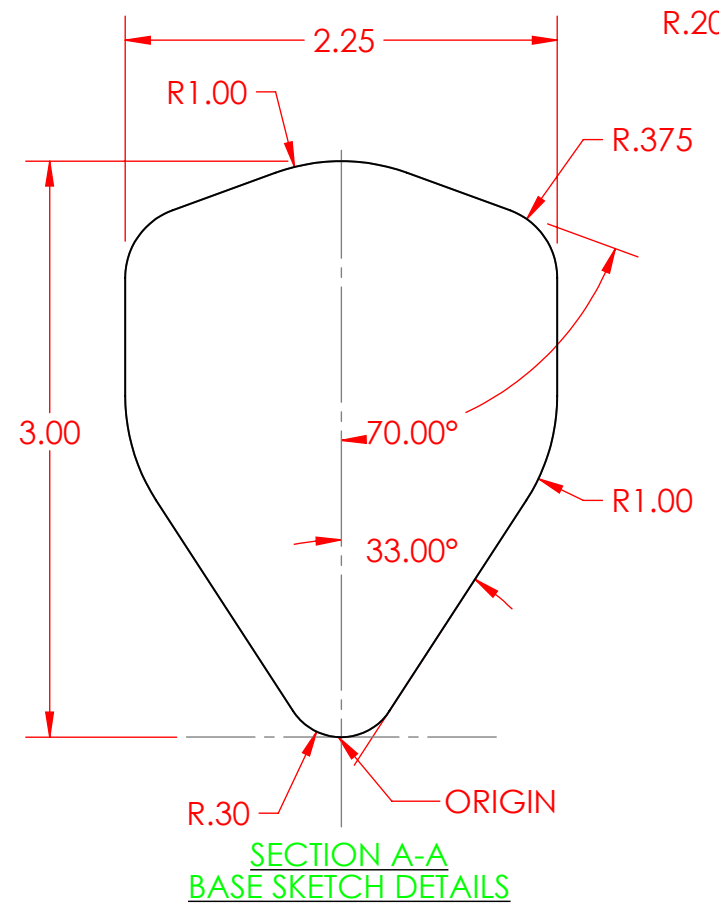
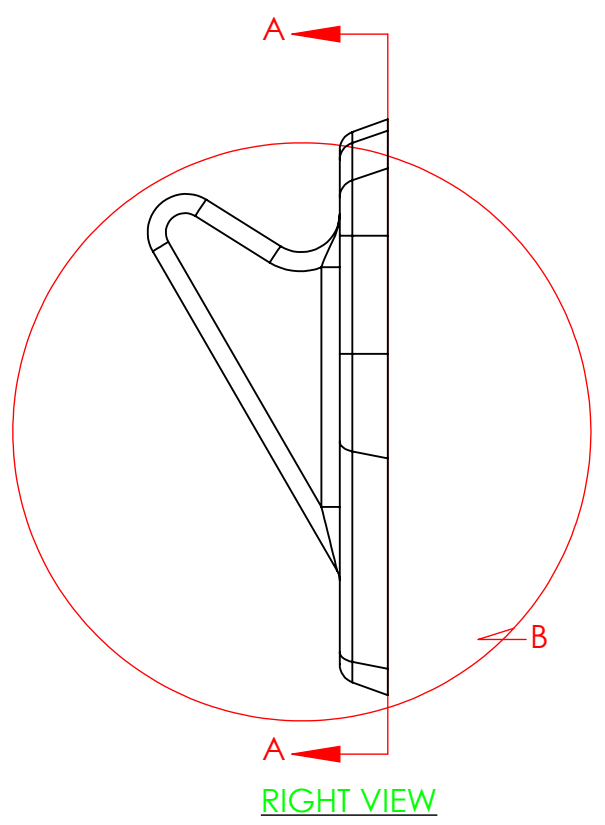
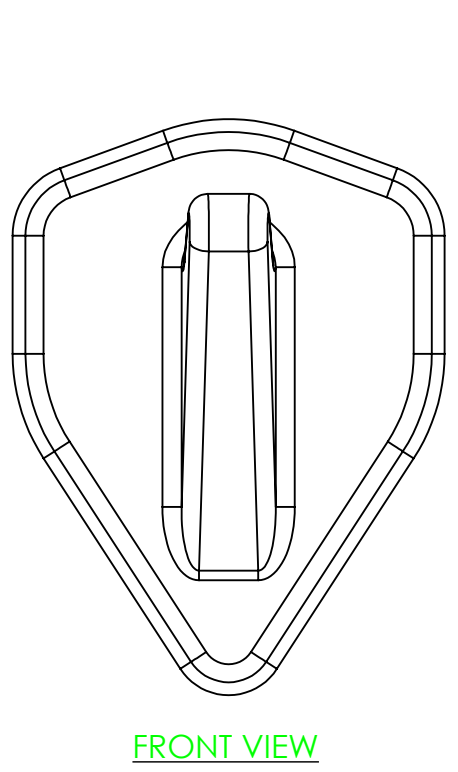
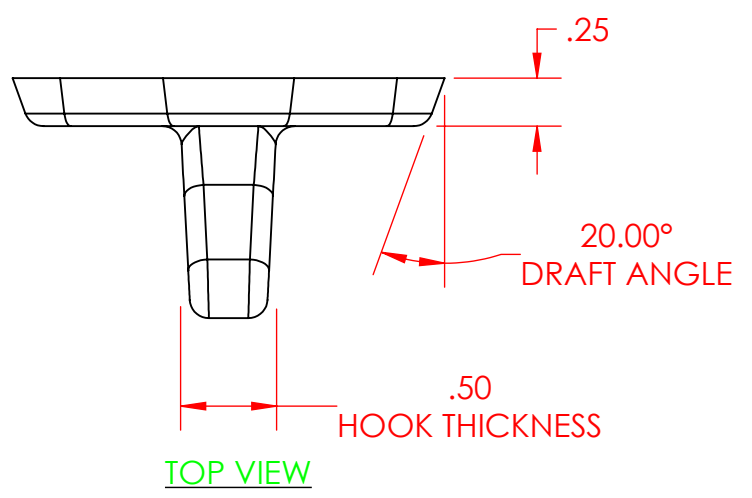
3

2

1

SHEET NOTES
DESIGN SUGGESTED FEATURE ORDER

1. BASE FEATURE WITH 20 DEGREE DRAFT ANGLE (PER DIMENSIONS FROM SECTION A-A), EXTRUDE TO FRONT- MASS = 0.0442 POUNDS - CENTER OF MASS: X = 0, Y = 1.6973, Z = 0.1217
2. HOOK FEATURE (PER DIMENSIONS FROM DETAIL B) - MASS = 0.0629 POUNDS, CENTER OF MASS: X = 0, Y = 1.7432, Z = 0.2724
3. DRAFT FEATURE AS A SEPARATE FEATURE (SEE VIDEO), CHOOSE FRONT FACE AND EACH SIDE OF THE HOOK, 3 DEGREES - MASS = 0.0614 POUNDS - CENTER OF MASS: X = 0, Y = 1.7361, Z = 0.2594
4. FILLET (0.10 INCHES) ON FRONT FACE AND LEFT AND RIGHT FACE OF HOOK FEATURE - MASS = 0.0609 POUNDS - CENTER OF MASS: X = 0, Y = 1.7345, Z = 0.2555



PROPRIETARY AND CONFIDENTIAL

THE INFORMATION CONTAINED IN THIS DRAWING AND ANY RELATED MATERIAL IS THE SOLE PROPERTY OF ENTERPRISE DESIGN AND INNOVATIONS. ANY SHARING OF THIS INFORMATION, IN WHOLE OR ANY PART THEREOF IS PROHIBITED WITHOUT EXPRESS WRITTEN CONSENT OF ENTERPRISE DESIGN AND INNOVATIONS.

SCHMEAN'S HOOK HOUSEWARE PRODUCTS				REVISIONS DATE:	ITEM:	NAME	DATE	UNITS IN INCHES TOLERANCES ARE 0.010 INCHES UNLESS OTHERWISE NOTED
						DRAWN	CSS	
		CHECKED	MBM	4/3/18				
		APPV.	000	000				
		MATERIAL	ABS PC					
SHEET	SHEET SCALE	SHEET SIZE	REV	VERSION DATE	4/3/2018			
1	1:1	B				SHEET FILE NAME: 02-Schmeans-Hook-HOLES		



4

3

2

1

B

B

A

A